

EXPANDING THE RANGE OF OUR PRODUCTS

2016-2018





A CONSTANTLY EXPANDING RANGE

C-TECH is constantly updating and adding to its collection of implant components and prosthetic solutions. On a regular basis we have been sending out our email newsletters to notify you of all these updates (if you have not been receiving these newsletters, please contact your C-TECH rep in order to have your email address added to the newsletter mailing list). Nonetheless it is sometimes difficult to keep track of all these new additions, so we have made this summary of all the new items that have been introduced in the last 2 years.

The online catalogue is updated at the same time that each new newsletter is sent out, thus should you ever have missed any newsletters or have doubts as to the state of the implant family collection, simply download the online version of the catalogue.

EL

ESTHETIC
LINE
implant



EL IMPLANT Ø6

New 6mm diameter implants, fully compatible with EL prosthetics. Surgical protocol requires CT-1760E as main drill and EL-1760N as hard bone drill.

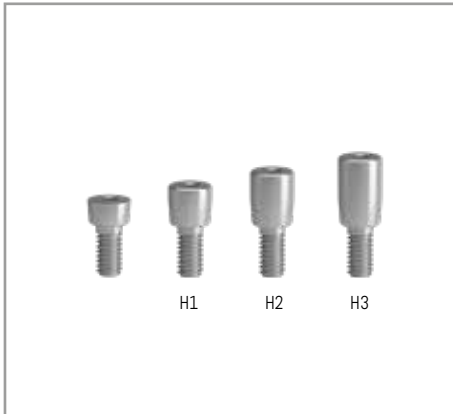
CODE Ref.
EL-6007 • EL-6008 • EL-6010 • EL-6012 • EL-6014



EL IMPLANT Ø7

New 7mm diameter implants, fully compatible with EL prosthetics. Surgical protocol requires CT-1770E as main drill and EL-1770N as hard bone drill.

CODE Ref.
EL-7007 • EL-7008 • EL-7010 • EL-7012 • EL-7014



EL STRAIGHT PROTRUDING COVER SCREWS

These cover screws facilitate easy access to subcrestally set EL/BL implants where the bone can cover and prevent access to the standard flush cover screw.

CODE Ref:
BL-4305 • BL-4305/1 • BL-4305/2 • BL-4305/3



CLOSED TRAY CAPLESS IMPRESSION POST

Capless impression posts are intended for single units.
Material: Grade 5 Titanium.

CODE Ref:
EL-4541S • EL-4541M • EL-4541L •
Includes Screw: EL-5051S • EL-5051M • EL-5051L



CASTABLE CHROME COBALT BASE

This new castable base is made of chrome cobalt.
Material: Chrome cobalt

CODE Ref:
EL-6041CC
Includes internal screw and plastic chimney



CEC EL 15° ANGLED ABUTMENTS

These new 15° angled abutments with the CEC shape are available in 4 different gingival heights.

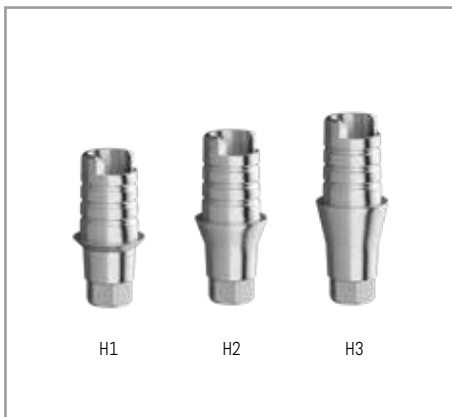
CODE Ref:
EL-151 • EL-152 • EL-153 • EL-154



CEC EL 25° ANGLED ABUTMENTS

These new 25° angled abutments with the CEC shape are available in 4 different gingival heights.

CODE Ref.
EL-251 • EL-252 • EL-253 • EL-254



NON ROTATING BASES

Available in 3 heights. Corresponding CAD/CAM libraries are available for download on the website.

Material: Titanium grade 5

Includes screw: BL-5052HX

CODE Ref.
H1: EL-6041 • H2: EL-6042 • H3: EL-6043



ROTATING TITANIUM BASES

Available in 3 heights, these bases, without indexing hexes, can be easier to fit in multi-unit bridges. CAD/CAM libraries available for download on the website.

Material: Titanium grade 5

Includes screw: BL-5052HX

CODE Ref.
H1: EL-6041R • H2: EL-6042R • H3: EL-6043R



SCAN BODY

Compatible with EXOCAD, 3SHAPE and DENTALWINGS- Includes abutment and prosthetic screw.

Materiale: PEEK and Titanium grade 5

Includes screw: BL-5052HX

CODE Ref.
PEEK: EL-6040P • TITANIUM: EL-6040



SCAN CAP

These scan caps are intended for use by scanning off the top of the new above mentioned bases. Libraries available for download from the website.

Material: PEEK

Includes screw: EL-SCANSCREW

CODE Ref.
EL-6044P • EL-6044PR



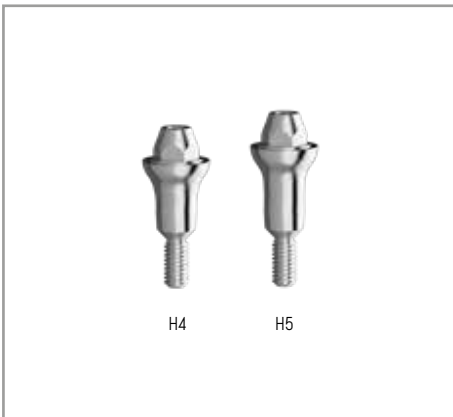
DIGITAL ANALOG

Intended for use in models that will be printed in 3D printers.

Material: Titanium grade 5

Includes screw: DG-SCREW

CODE Ref.
EL-DG5143

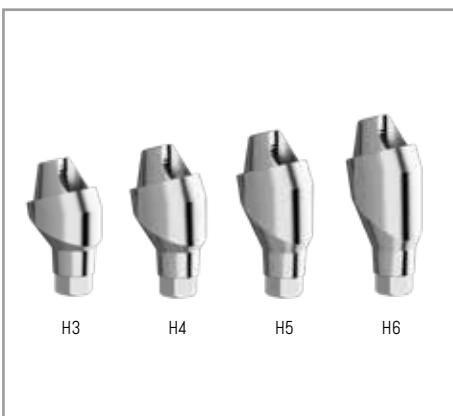


MUA STRAIGHT ABUTMENTS - NEW SIZES

The line of straight MUA abutments has been extended with the addition of 2 new cuff heights: 4mm and 5mm.

Material: Grade 5 Titanium.

CODE Ref.
H4: BL-4750/4 • H5: BL-4750/5
Includes bridge screw

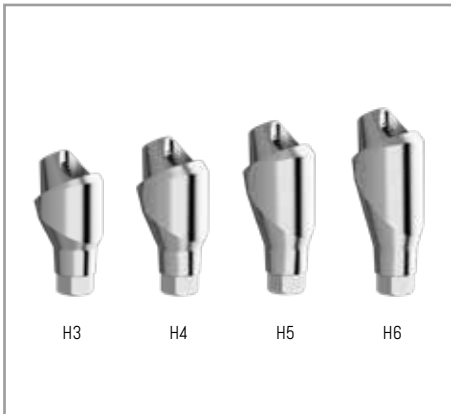


MUA 17° ANGLED ABUTMENTS - NEW SIZES

The line of MUA angled abutments has been extend with the addition of 4 cuff heights for both 17 degree abutments with 3mm, 4mm, 5mm and 6mm.

Material: Grade 5 Titanium.

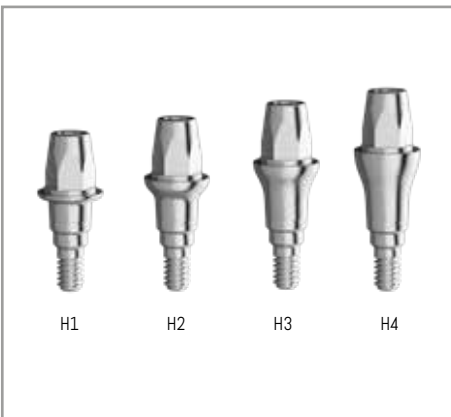
CODE Ref.
BL-1750/3 • BL-1750/4 • BL-1750/5 • BL-1750/6



MUA 30° ANGLED ABUTMENTS - NEW SIZES

The line of MUA angled abutments has been extended with the addition of 4 cuff heights for both 30 degree abutments with 3mm, 4mm, 5mm and 6mm.
Material: Grade 5 Titanium.

CODE Ref.
BL-3050/3 • BL-3050/4 • BL-3050/5 • BL-3050/6



SSR ABUTMENT

The abutments are available in 4 gingival heights. They are screwed into the implant like a MUA or a Titanium healing abutment and will engage the Morse taper. The top of the abutment has an internal screw for fastening restorations to the abutment.
Material: Titanium grade 5.

CODE Ref.
H1: SSR-4710 • H2: SSR-4720
H3: SSR-4730 • H4: SSR-4740



SSR COMFORT CAP

This cap fits over the abutment prior to the final restoration so as to prevent injury to the tongue.
Material: PEEK

CODE Ref.
SSR-CAP



SSR CLOSED TRAY TRANSFER

Allows the practitioner to take the impression of the abutment.
Material: Titanium grade 5
Includes screw: SSR-50.52

CODE Ref.
SSR-POST



SSR SCAN CAP

Placed on the abutment, this scan cap allows for scans of the position of the abutments and the corresponding libraries are available for the main CAD/CAM systems.

Material: PEEK

Includes screw: SSR-50.52

CODE Ref.
SSR-SCAN



SSR ANALOG

Material: Titanium grade 5

CODE Ref.
SSR-AN



SSR CASTING CYLINDER

Allows the lab to model from the top of the abutment.

Material: Acrylic

Includes screw: SSR-50.52

CODE Ref.
SSR-CAST



SSR BRIDGE SCREW

Fits into the top of the abutment.

Material: Titanium grade 5

CODE Ref.
SSR-50.52



SSR/O-BALL ABUTMENT MUA DRIVER

The driver for the SSR abutment is the same as the existing tool for C-TECH O-Ball and MUA abutments.

Material: Titanium grade 5

CODE Ref.
BL-0600



STOPS XL

New drill stops for drills of diameter 6 mm and 7 mm.

CODE Ref.
XLSTOP-07 • XLSTOP-08 • XLSTOP-10 • XLSTOP-12



MAIN DRILLS

New main drills for 6mm and 7mm diameter implants

CODE Ref.
CT-1760E • CT-1770E



COUNTERBORES

In cases when the bone is too tight around the top of the implant, the cortical can be opened with these dual purpose counterbores, serving diameters $\varnothing 3.1\text{mm}-\varnothing 3.8\text{mm}$ and $\varnothing 4.3\text{mm}-\varnothing 5.1\text{mm}$ respectively.

Material: stainless steel

CODE Ref.
EL-3138 $\varnothing 3.1-\varnothing 3.8$ • EL-4351 $\varnothing 4.3-\varnothing 5.1$



HARD BONE DRILLS

New hard bone drills for 6mm and 7mm diameter implants

CODE Ref.
EL-1760N • EL-1770N



SMALL PROSTHETIC FINGER DRIVER

Has a total height of 20mm and is ideal for prosthetics in areas with low clearance.

CODE Ref.
CT-9025XS



HAND DRIVER

The new hand driver is ideal for manually placing implants in the maxilla.
Thin stem with soft silicone grip.

CODE Ref. EL-3016



RATCHET/MANUAL EXTRACTOR AND PROSTHETIC DRIVER

This multiple use instrument is a combination extractor and prosthetic driver all in one. It can be both driven manually or with a ratchet.
Material: stainless steel

CODE Ref.
CT-9026 • CT-9026S



MULTI-UNIT SCREW RETAINED ABUTMENT DRILL GUIDE

This drill guide facilitates the placement of the implants at the correct angulations which helps insure that the final position of the multi-unit abutment will be perpendicular to the patient's jaw.

CHARACTERISTICS

- Durable titanium construction.
- Adjustable and foldable, allowing to be parallel to and follow the contour of the crestal bone.
- Sterilizable

CODE Ref.
EL-3017

ND

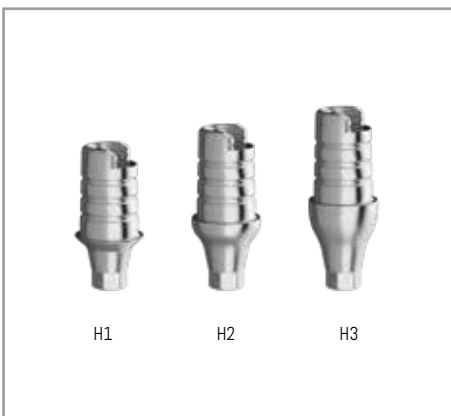
NARROW
DIAMETER
implant



EL IMPLANT Ø3.1

This new member of the EL family is based on the prosthetic connection of the ND family, and accordingly is compatible with all the ND components.

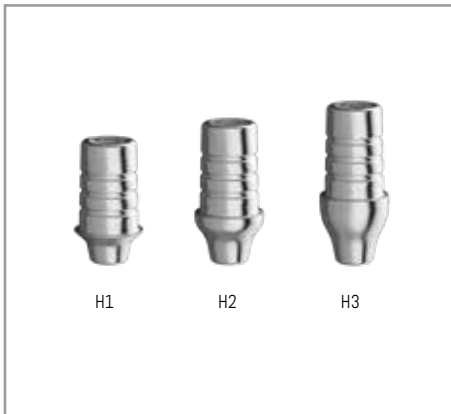
CODE Ref.
ND-3009 • ND-3011 • ND-3013



NON ROTATING TITANIUM BASES

Complete set includes titanium base and prosthetic screw
Material: Titanium grade 5

CODE Ref.
ND-6041 • ND-6042 • ND-6043



ROTATING TITANIUM BASES

Complete set includes titanium base and prosthetic screw
Material: Titanium grade 5

CODE Ref.
ND-6041R • ND-6042R • ND-6043R



INTRA-ORAL SCANBODY

These scan bodies allow for the scan to be made directly in the mouth. CAD/CAM available for download on the website. Includes screw ND-5052HX
Material: PEEK
Includes screw ND-5052HX

CODE Ref.
ND-6040



SCAN CAP

These scan caps are intended for use by scanning off the top of the new above mentioned bases. Libraries available for download from the website.
Material: PEEK
Includes screw ND-SCANSCREW

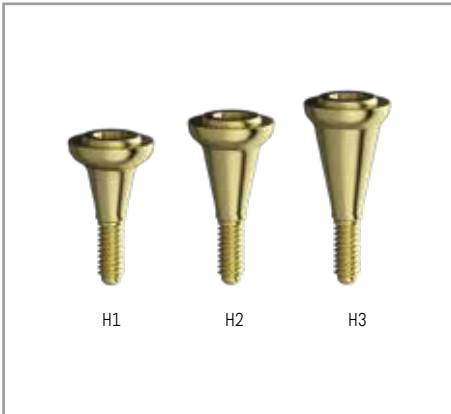
CODE Ref.
ND-6044P • ND-6044PR



3D ANALOG

Intended for use in 3D printed models.
Includes screw DG-SREW
Material: Titanium grade 5

CODE Ref.
ND-DG5143



ND FLAT ABUTMENT

This abutment converts the top of the implant into an external connection, facilitating full arch splinted screw retained bridges off the top on ND implants. This cannot be used for partial bridges or single units.
Material: Titanium grade 5

CODE Ref.
H1: FLAT2 • H2: FLAT3 • H3: FLAT4



ND FLAT HEALING SCREW

Covers the flat abutment during the healing phase.
Material: Titanium grade 5

CODE Ref.
FLATHEALING



ND CLOSED TRAY TRANSFER

Allows impression taking from the top of the ND abutment.
Material: Titanium grade 5

CODE Ref.
FLATPOST



ND FLAT CONNECTING SCREW

This screw will connect the bridge to the abutment.
Material: Titanium grade 5

CODE Ref.
FLATSCREW



ND FLAT ANALOG

Replicates the top of the implant for the stone model.

Material: Titanium grade 5

CODE Ref.
FLAT-AN



ND CASTABLE AND TITANIUM CYLINDER

Allows to cast or make structures to fit off the top of the flat abutments.

Material: Plexiglass and titanium grade 5

Includes screw FLATSCREW

CODE Ref.
PLEXIGLASS: FLAT-CAST • TITANIUM: FLAT-TIT



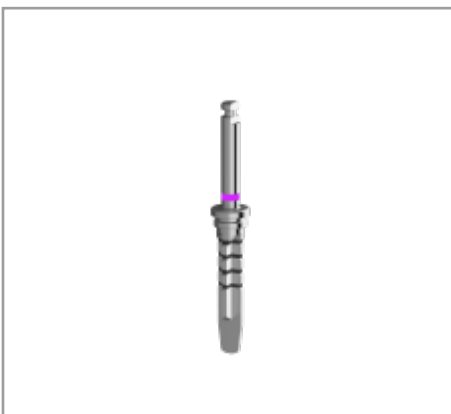
ND FLAT SCAN

For scanning off the top of the flat abutments. Libraries can be downloaded from the website.

Material: PEEK

Includes screw FLATSCREW

CODE Ref.
FLAT-SCAN



HARD BONE DRILL FOR ND IMPLANT

3,1 ND Hard Bone Drill

Material: stainless steel

CODE Ref.
ND-1731N



COUNTERBORE

In cases when the bone is too tight around the top of the implant, the cortical can be opened with with this dual purpose counterbore, serving diameters Ø3.1 and Ø3.8.

Material: stainless steel

CODE Ref.
EL-3138

Kit for EL and ND implants



DRILL STOP KITS

The new drill stop kit is made of a milled and anodized aluminum sliding top and a Tekapro (autoclave resistant resin) base. The drill stops are in the base and when the top is slid into the "open" position, one can insert the drill into the appropriate length opening and pick up the corresponding drill stop without having to hold or touch the stops with ones finger's. When the top is slid into the closed position, the stops are held safely in the base. The kit is autoclavable.

The kit can be ordered in 2 versions:
STOPKIT00: empty of drill stops
STOPKIT01: complete with all drill stops

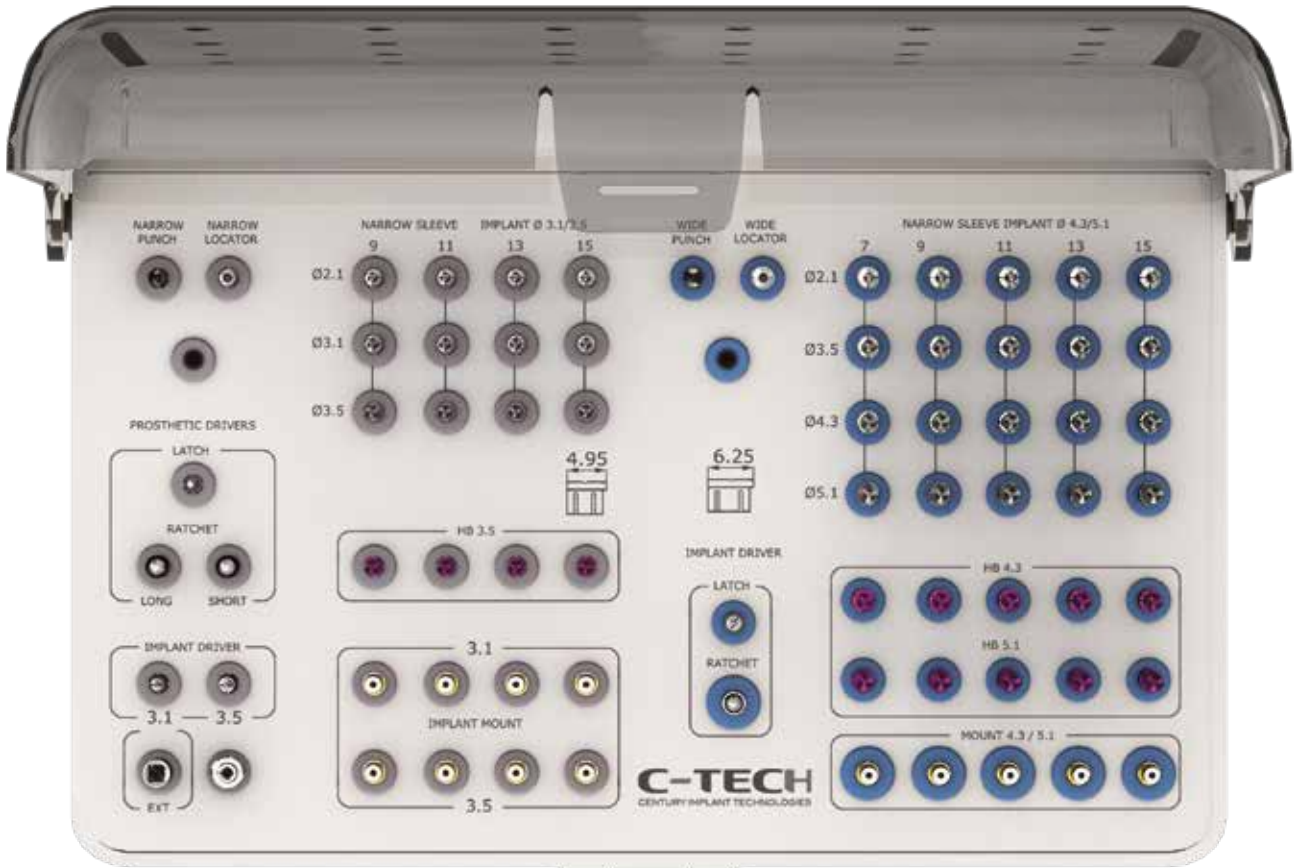


BONE EXPANDER KIT - KIT CONTENTS

Ratchet	2.6 Osteotome
Ratchet extender	3.1 Osteotome
Latch driver adapter	3.3 Osteotome
Locator drill	3.8 Osteotome
1.4mm drill	4.0 Osteotome
2.0 Osteotome	4.2 Osteotome
2.3 Osteotome	4.5 Osteotome

CODE Ref. OSTKIT01

C-GUIDE kit



Narrow punch	GS-NPUNCH
Locator Drill	GS-NLOCATOR
Drill D2.1 L9	GS-N2009
Drill D2.1 L11	GS-N2011
Drill D2.1 L13	GS-N2013
Drill D2.1 L15	GS-N2015
Drill D3.1 L9	GS-N3009
Drill D3.1 L11	GS-N3011
Drill D3.1 L13	GS-N3013
Drill D3.1 L15	GS-N3015
Drill D3.5 L9	GS-N3509
Drill D3.5 L11	GS-N3511
Drill D3.5 L13	GS-N3513
Drill D3.5 L15	GS-N3515
Drill D3.5 L9 HB	GS-N3509HB
Drill D3.5 L11 HB	GS-N3511HB
Drill D3.5 L13 HB	GS-N3513HB
Drill D3.5 L15 HB	GS-N3515HB
Mount D3.1	GS-N7007/31
Mount D3.8	GS-N7007/38
Latch Driver D3.1	GS-N9031
Latch Driver D3.5	GS-N9035

Narrow D4.0	GS-NS
Wide punch	GS-WPUNCH
Locator Drill	GS-WLOCATOR
Drill D2.1 L7	GS-W2007
Drill D2.1 L9	GS-W2009
Drill D2.1 L11	GS-W2011
Drill D2.1 L13	GS-W2013
Drill D2.1 L15	GS-W2015
Drill D3.5 L7	GS-W3507
Drill D3.5 L9	GS-W3509
Drill D3.5 L11	GS-W3511
Drill D3.5 L13	GS-W3513
Drill D3.5 L15	GS-W3515
Drill D4.3 L7	GS-W4307
Drill D4.3 L9	GS-W4309
Drill D4.3 L11	GS-W4311
Drill D4.3 L13	GS-W4313
Drill D4.3 L15	GS-W4315
Drill D4.3 L7 HB	GS-W4307HB
Drill D4.3 L9 HB	GS-W4309HB

Drill D4.3 L11 HB	GS-W4311HB
Drill D4.3 L13 HB	GS-W4313HB
Drill D4.3 L15 HB	GS-W4315HB
Drill D5.1 L7	GS-W5107
Drill D5.1 L9	GS-W5109
Drill D5.1 L11	GS-W5111
Drill D5.1 L13	GS-W5113
Drill D5.1 L15	GS-W5115
Drill D5.1 L7 HB	GS-W5107HB
Drill D5.1 L9 HB	GS-W5109HB
Drill D5.1 L11 HB	GS-W5111HB
Drill D5.1 L13 HB	GS-W5113HB
Drill D5.1 L15 HB	GS-W5115HB
Mount D4.3/D5.1	GS-W7007

Latch Driver D4.3/5.1	GS-W904351
Ratchet Driver D4.3/5.1	GS-E7001
Driver Extender	GS-2000
Lateral Pins	GS-PIN
Torque wrench	CT-8010
Drill for later pins	GS-FIXDRILL
Finger adapter	CT-E7003
Ratchet short screwdriver	CT-8051
Ratchet long screwdriver	CT-8052
Latch screwdriver	BL-9019

C-TECH
CENTURY IMPLANT TECHNOLOGIES

Via Cesare Battisti n. 2 - 40123, Bologna - ITALY
Tel. +39 051 6661817 - Fax +39 051 6667071
www.c-tech-implant.com - info@c-tech-implant.com



Go to
www.c-tech-implant.com



Follow us
on facebook



and
on Instagram